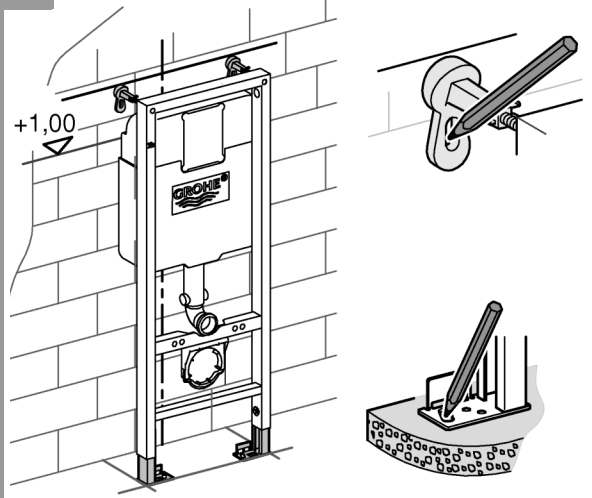
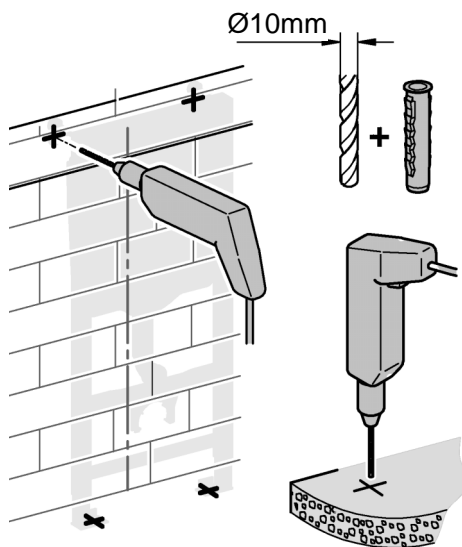


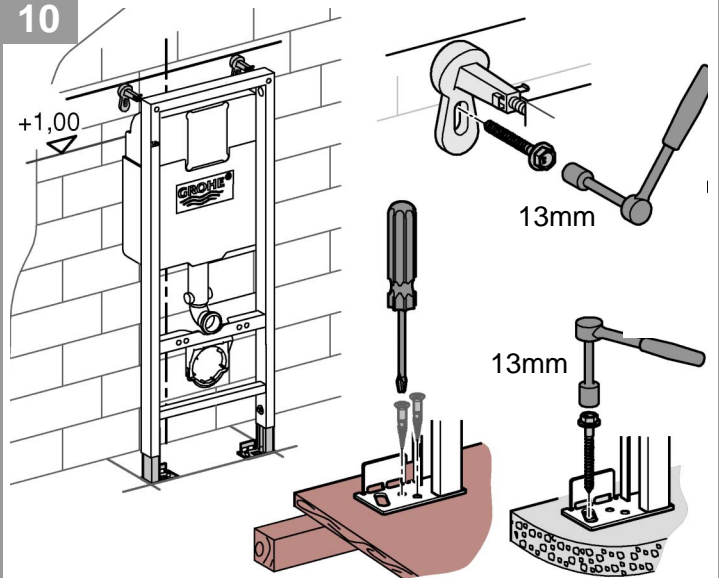
8



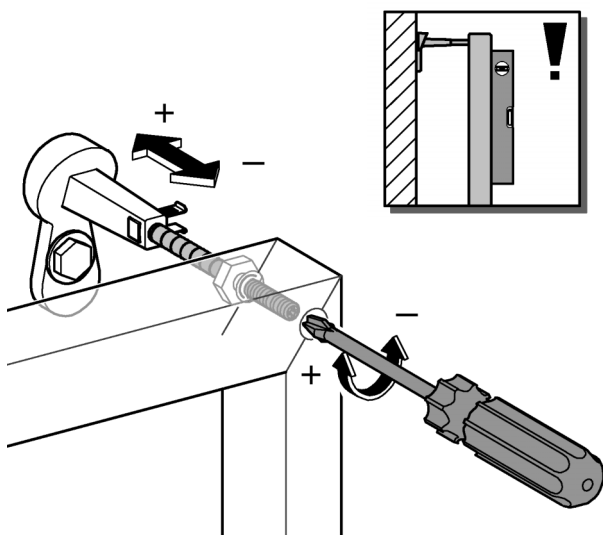
9



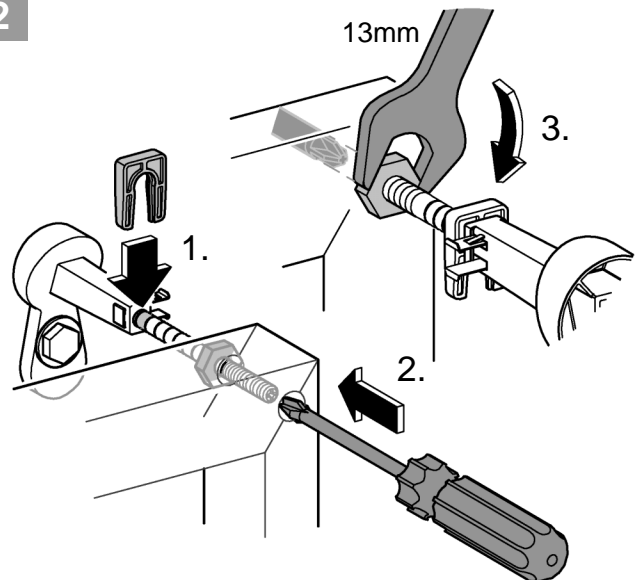
10

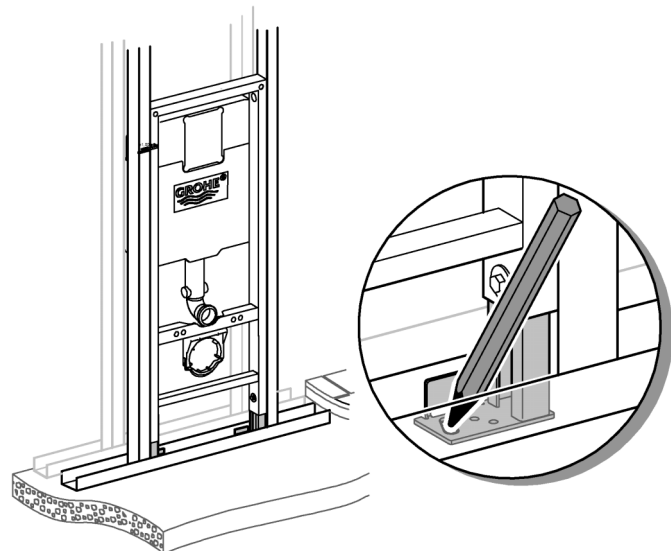
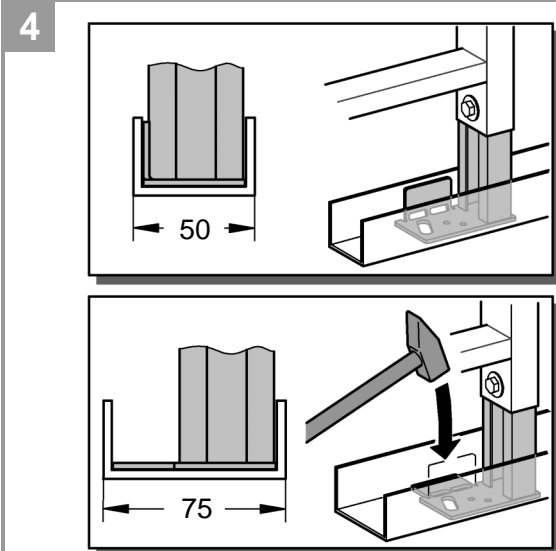
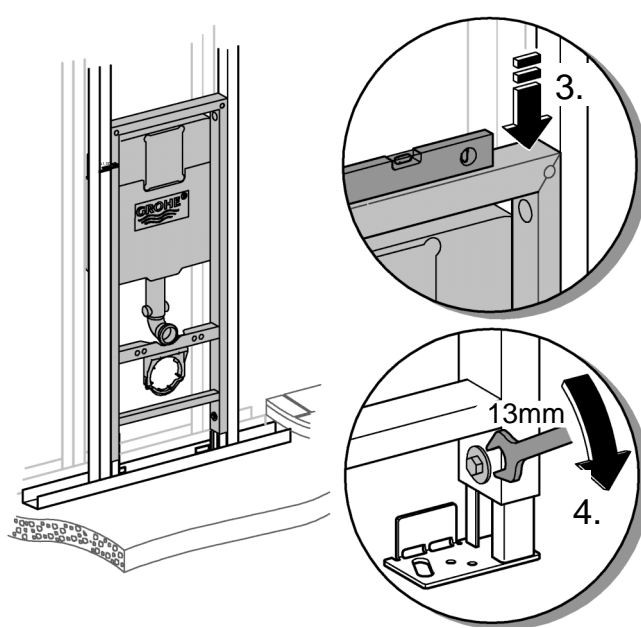
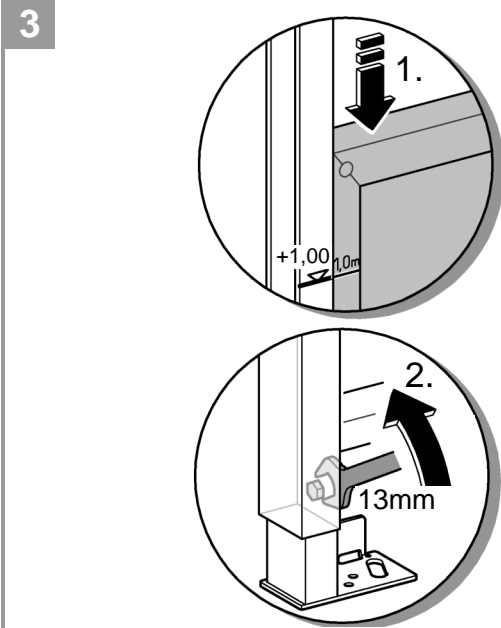
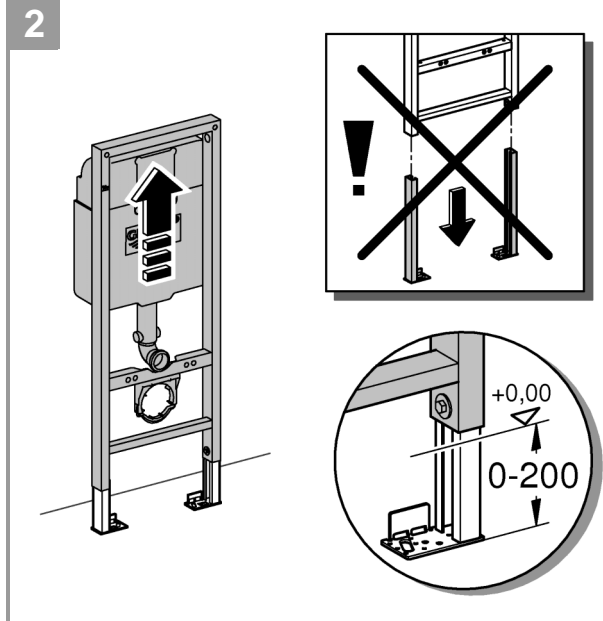
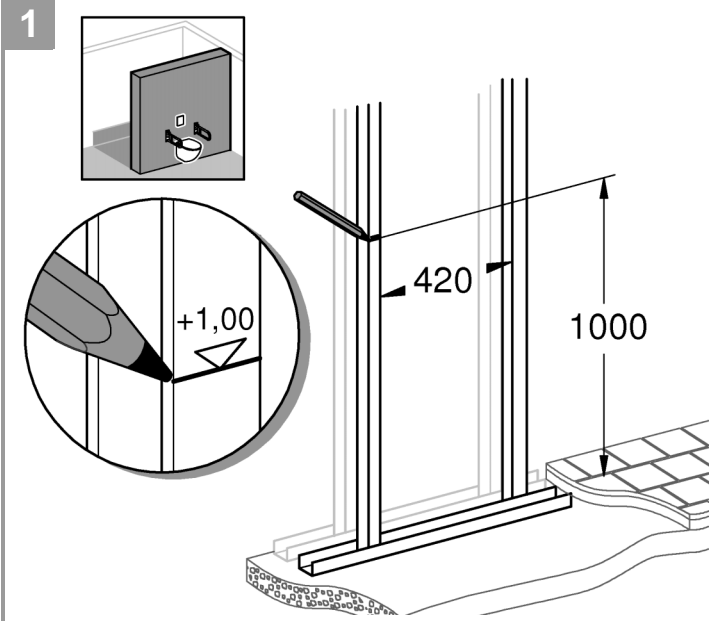


11



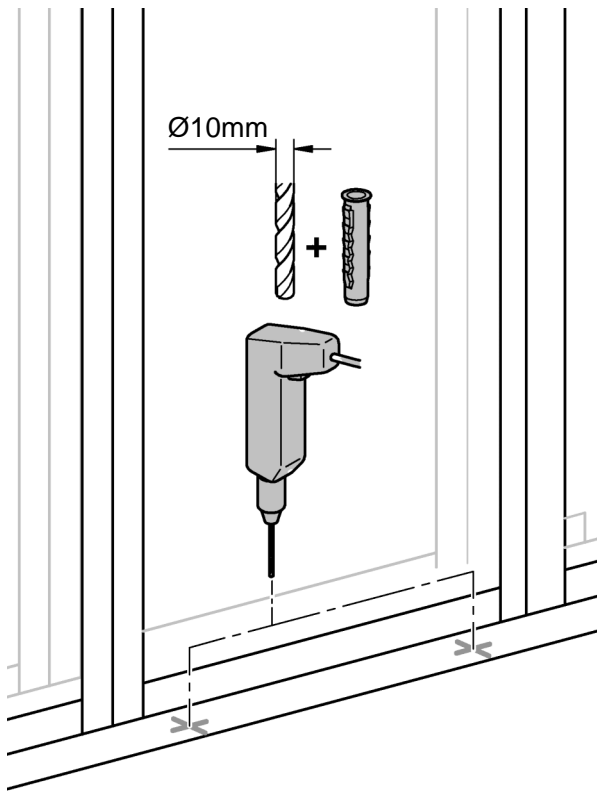
12



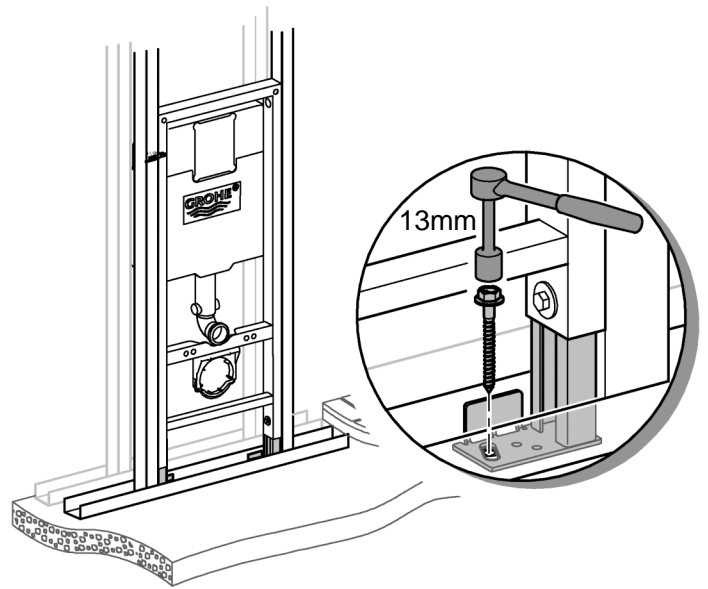




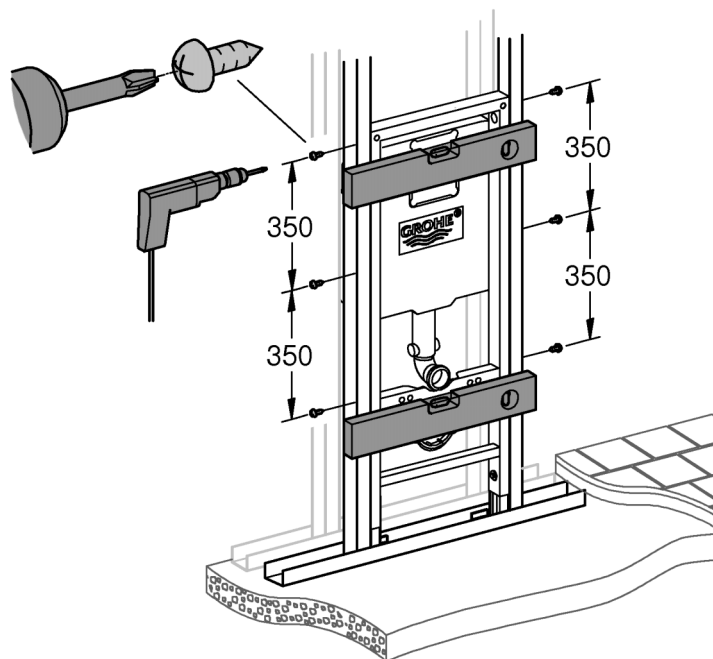
5

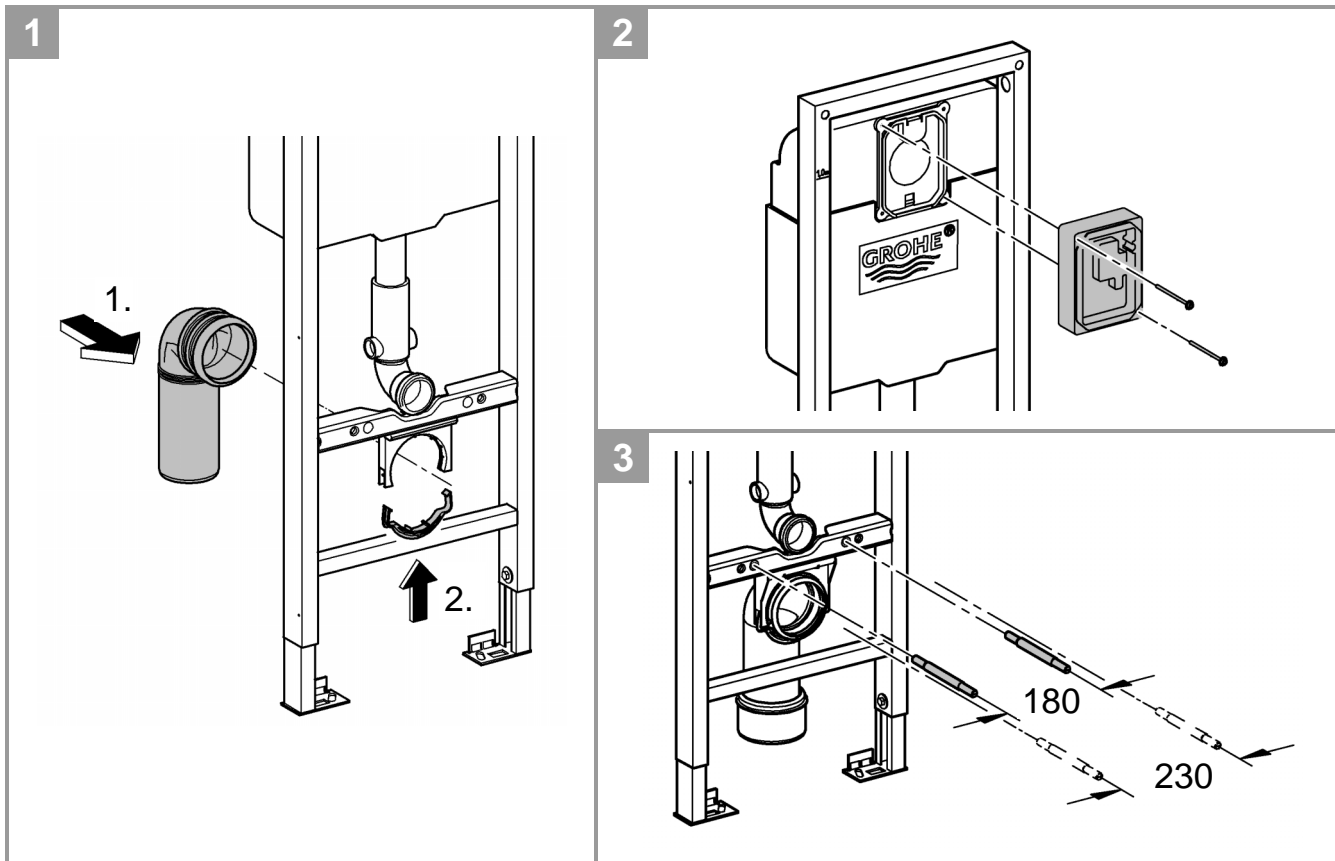
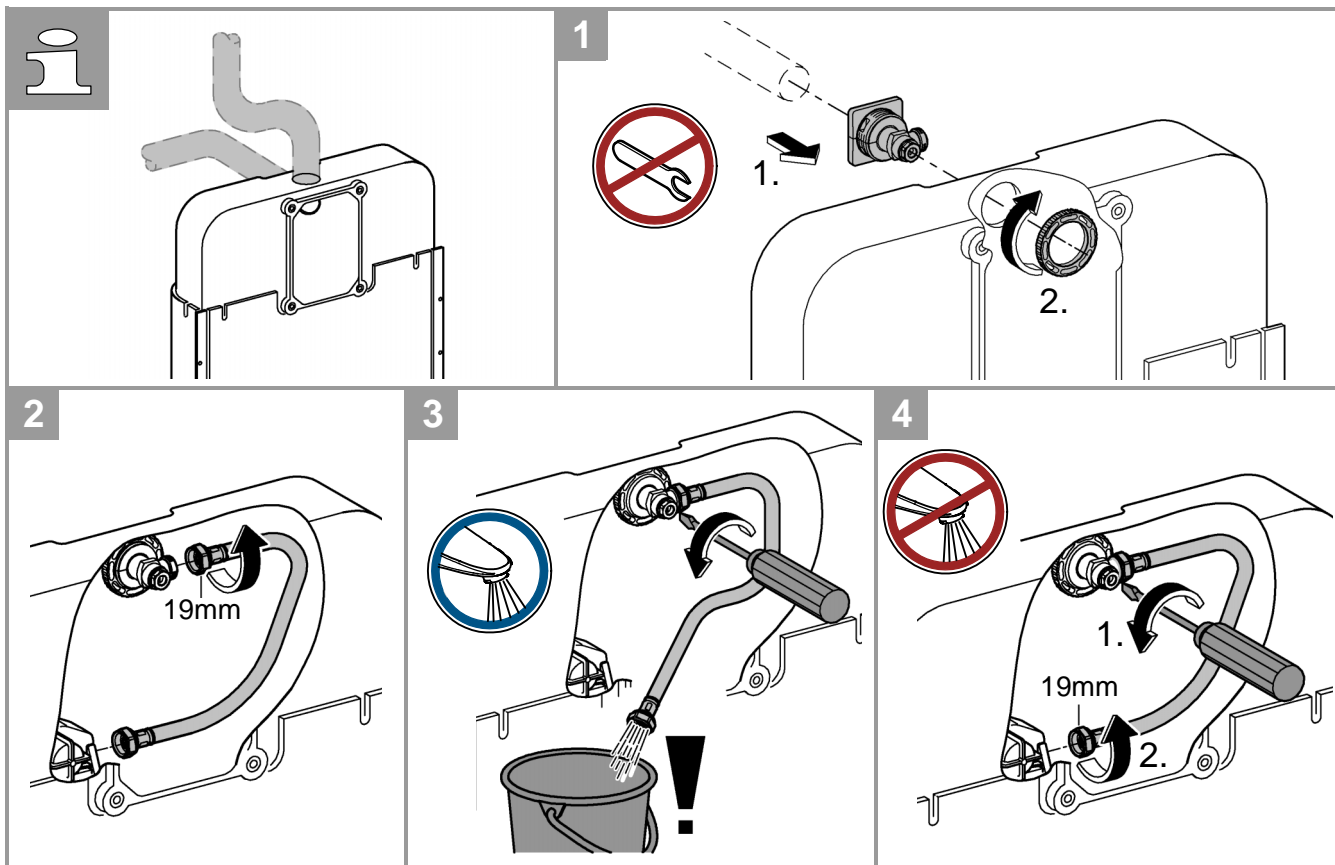


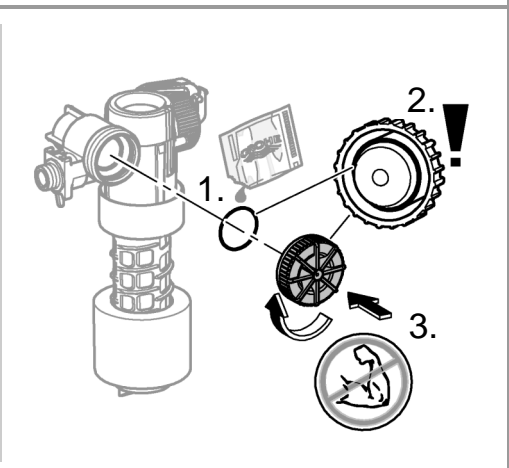
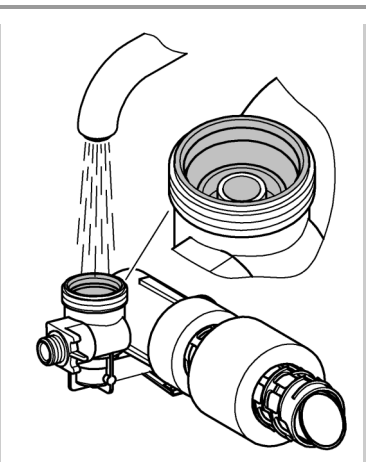
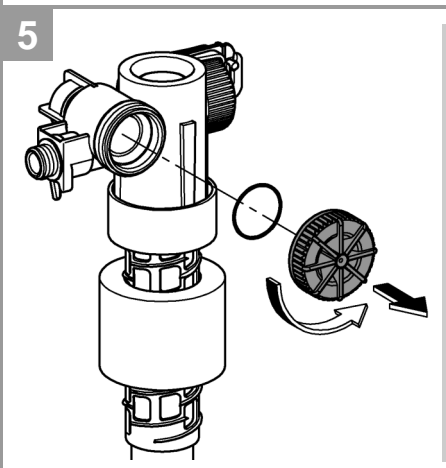
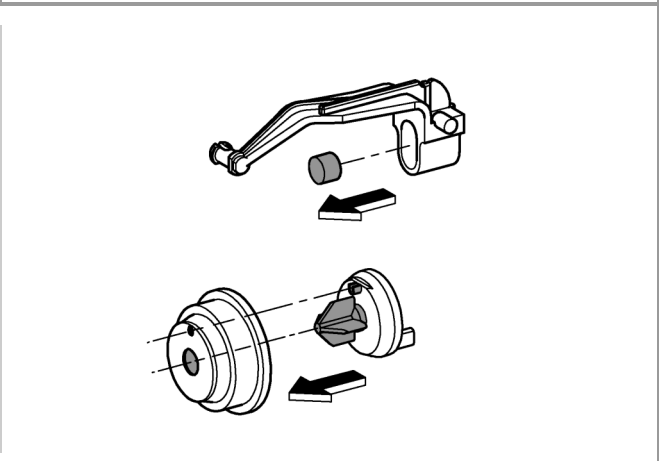
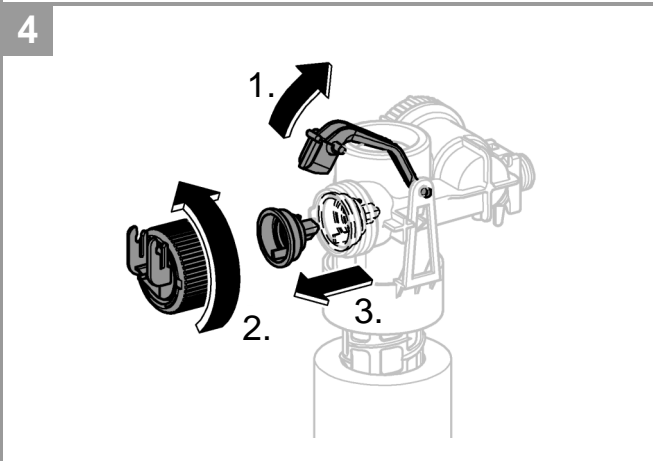
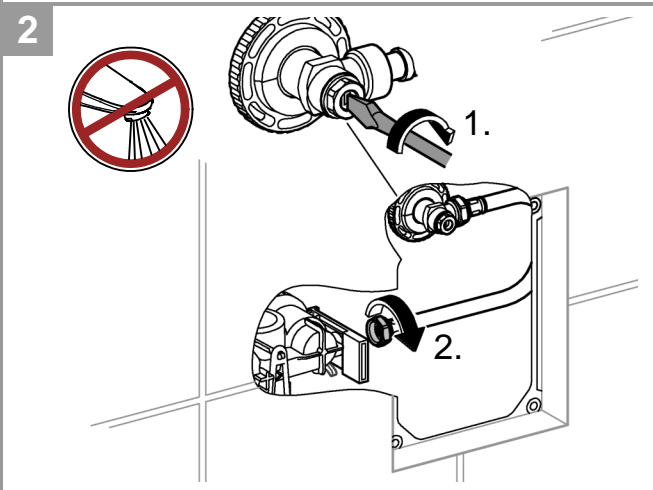
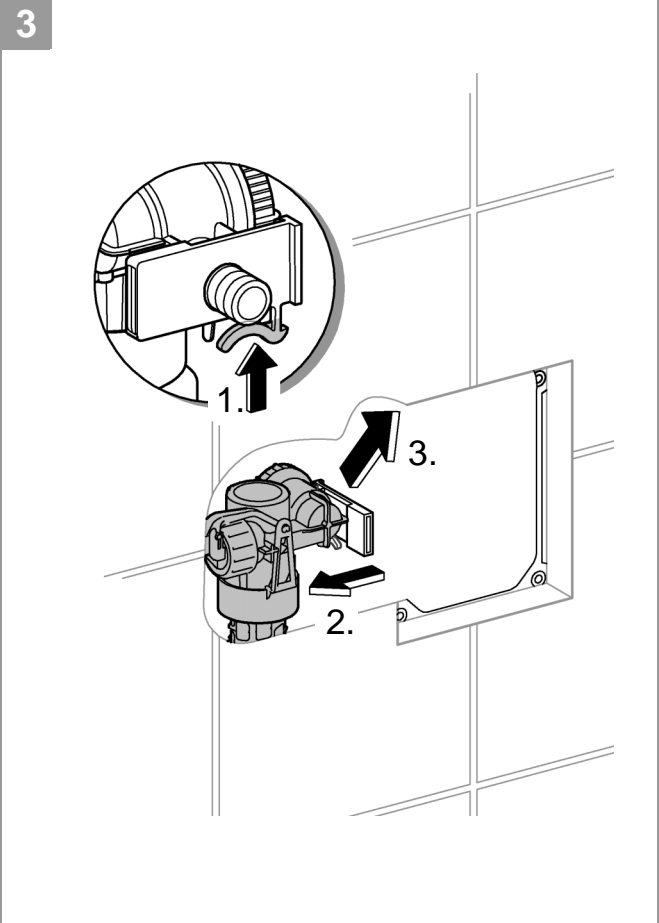
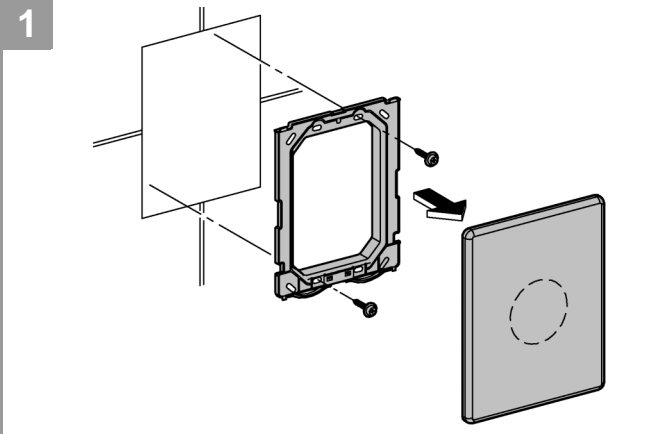
6

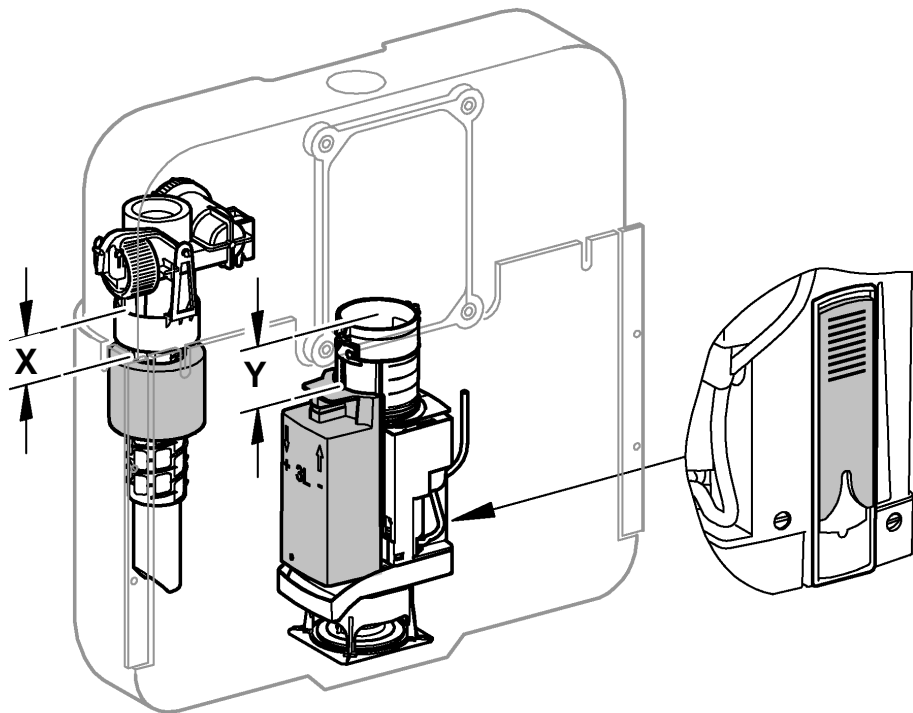
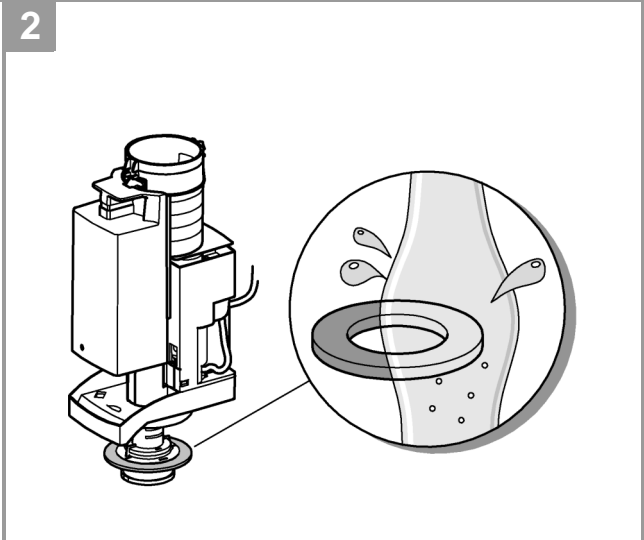
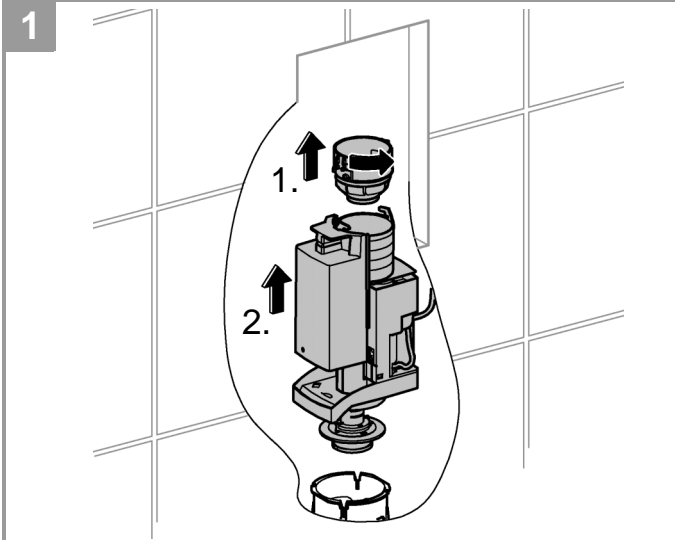



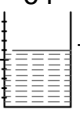
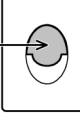

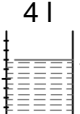
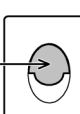
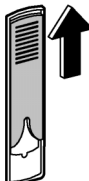
7

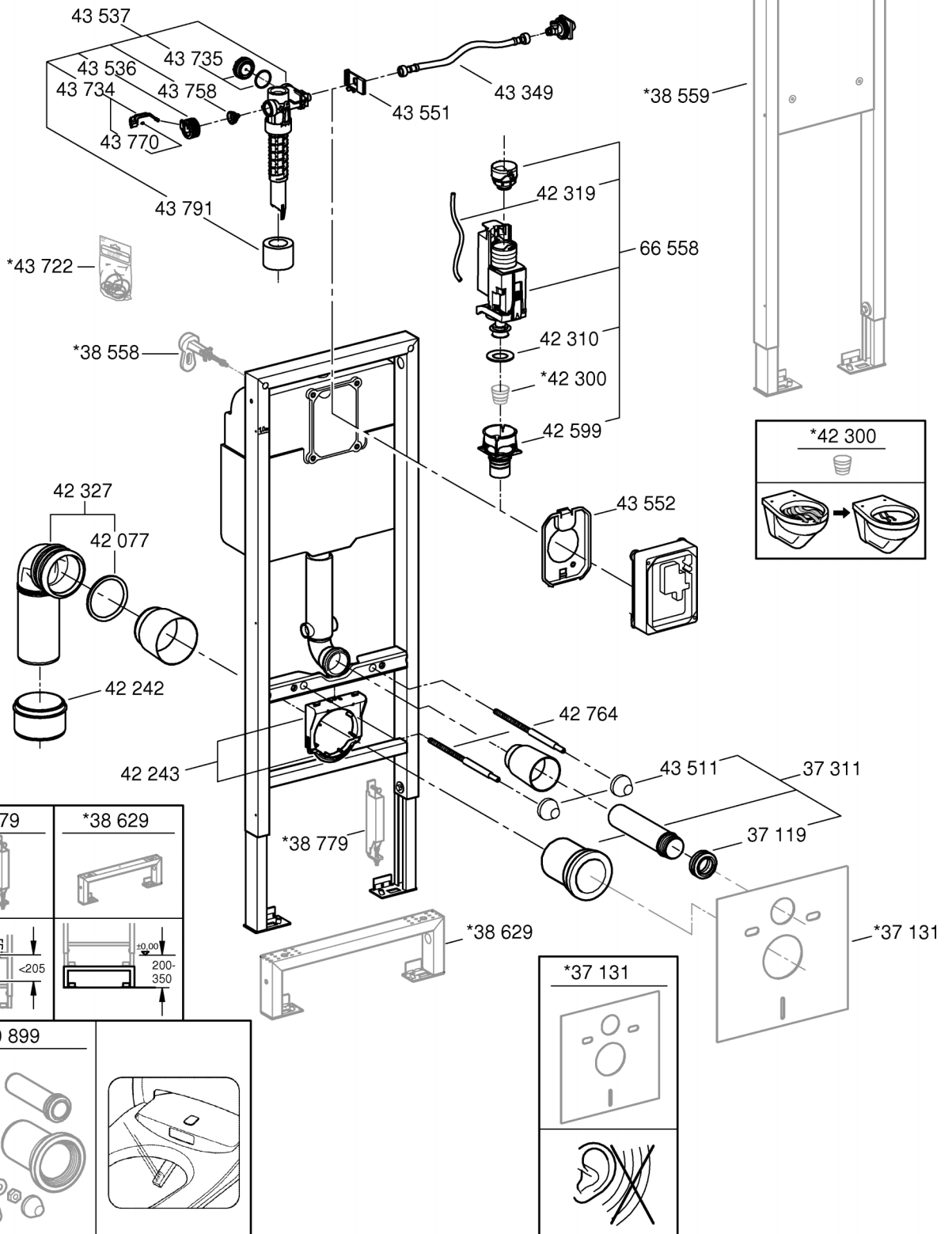
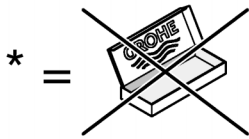








		X	Y	
	6 l  	31 mm	47 mm	
	4 l  	31 mm	47 mm	



Contact Information

SAMIYAH SANITARYWARE

No. 18, Chijin Road, Bipu Village, Dengtang Town, Chaoan District, Chaozhou, Guangdong, China

www.samiyah.com

info@samiyahsanitaryware.com

WhatsApp: +86 13925253368

Call to Action

Ready to Start Your Next Project?

Whether you are a distributor, contractor, developer, or bathroom brand, our team is ready to provide professional product recommendations, customized OEM & ODM solutions, and competitive quotations tailored to your project requirements.

Engineered to Stay Hidden. Built to Perform.
SAMIYAH SANITARY WARE
Premium Concealed Cistern Solutions